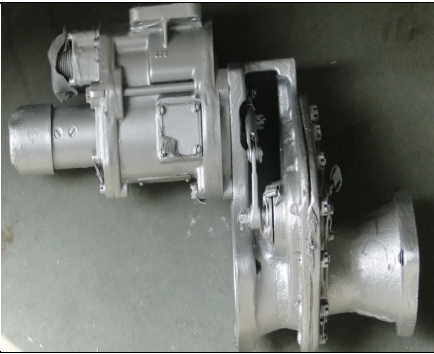


1.	Nomenclature/Part No./GIG Number	Cut Off Valve/34-7603-1100/563904
2.	Year of Production/Source	1984/SFTE SPETSTECHONEXORT
3.	Fleet/Sub System/Wpn system	AN-32
4.	Technical Applicability/Broad Purpose	Aircraft Air Conditioning System
5.	Technical Specifications	N/A
6.	Publication Details (attach as separate sheets)	IPC 021.11.03 ITEM 00 FIG 1 PAGE 2/1 Annexure I
7.	Photograph of equipment	
8.	Brief Description	Component is a sub assembly of Aircraft Airconditioning system. It consists of gear assembly to operate the shutter of airconditioning duct.
9.	Classification of equipment- LRU/Testers/Ground equipment, Electrical, Electronics, Mechanical, Software based etc.)	Rotable
10.	Previous Repair History	Cat D held is corroded and beyond repairable condition. Production is on reduce to produce basis by cannibalising spares
11.	Criticality (Priority I, II or III)	Priority I
12.	Requirement: Repair or Indigenization or both?	Indigenization
13.	Quantity Required (One time/Annual)	10
14.	Sample Applicability	Sample available
15.	Scale/Deficiency	scale 61/cat d 14/ def-47
16.	If deficient- How deficiency is being plugged?	Cannibalisation
17.	SPOC details item/fleet wise	SPE ISC, 1 BRD, AF
18.	Draft QTS with major testing requirement (If already designed)	(Tech Spec available)
19.	Any Other Relevant Information	

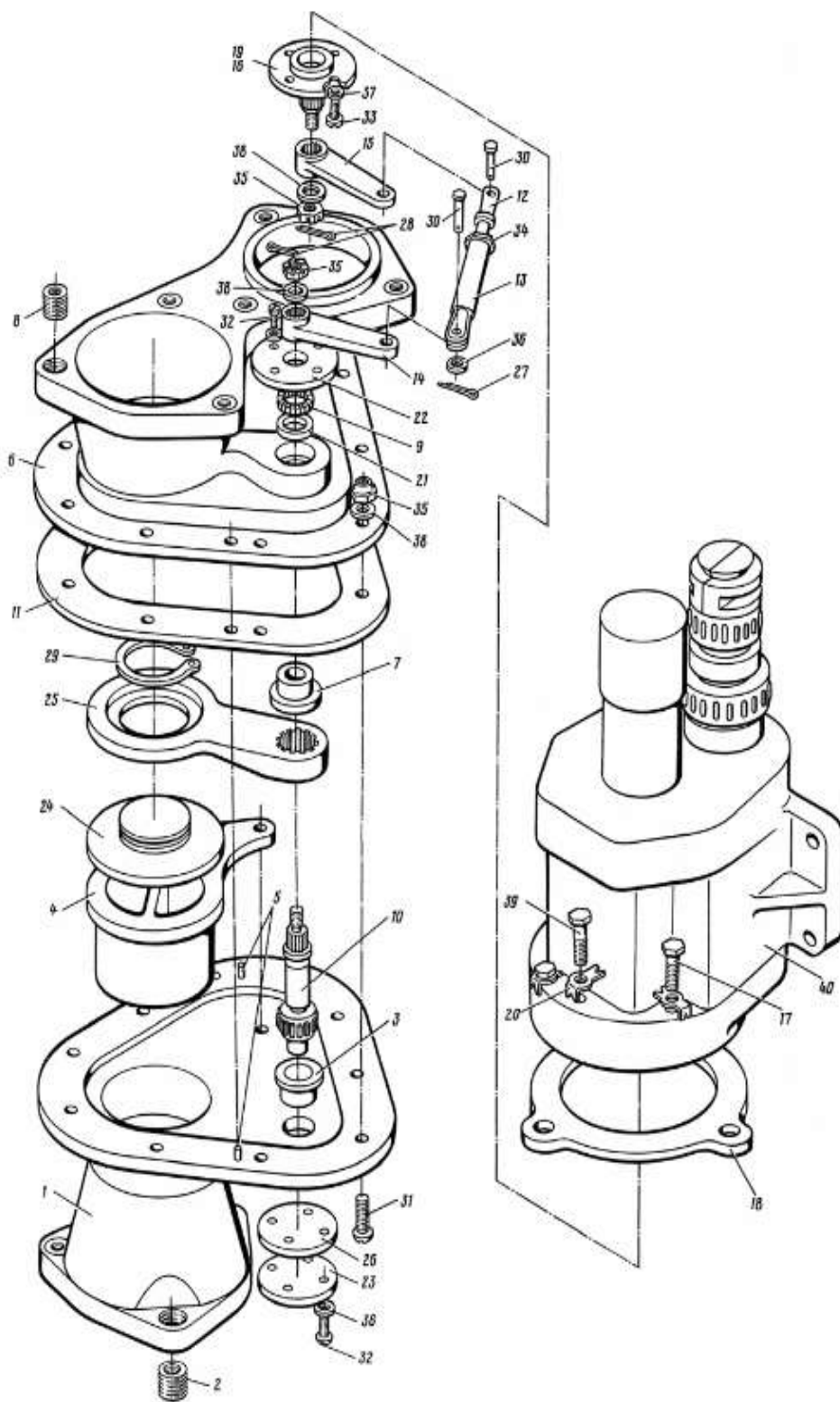


Рис. 1. КРАН ЗАПОРНЫЙ
Fig. 1. CUT-OFF VALVE