

1.	Nomenclature/Part No./GIG Number	Engine 32.01.6401.010.003/	Beam 1619082	RH/
2.	Year of Production/Source	1984		
3.	Fleet/Sub System/Wpn system	AN-32/ENGINE MOUNT LH/RH		
4.	Technical Applicability/Broad Purpose	ENGINE MOUNT LH/RH		
5.	Technical Specifications	N/A		
6.	Publication Details (attach as separate sheets)	OHM 071.20.00 ITEM 16 PAGE 107 FIG 102		
7.	Photograph of equipment	N/A		
8.	Brief Description	Component is an engine beam		
9.	Classification of equipment- LRU/Testers/Ground equipment/Role equipment, Electrical, Electronics, Mechanical, Software based etc.)	Non Mand		
10.	Previous Repair History	NIL		
11.	Criticality (Priority I, II or III)	Priority I		
12.	Requirement: Repair or Indigenization or both?	Indigenization		
13.	Quantity Required (One time/Annual)	5		
14.	Sample Applicability	Sample available		
15.	Scale/Deficiency	NIL		
16.	If deficient- How deficiency is being plugged?			
17.	SPOC details item/fleet wise	<b>SPE ISC, 1 BRD, AF</b>		
18.	Draft QTS with major testing requirement ( If already designed)	<b>( To be generated by vendor in consultation with RCMA</b>		
19.	Any Other Relevant Information			

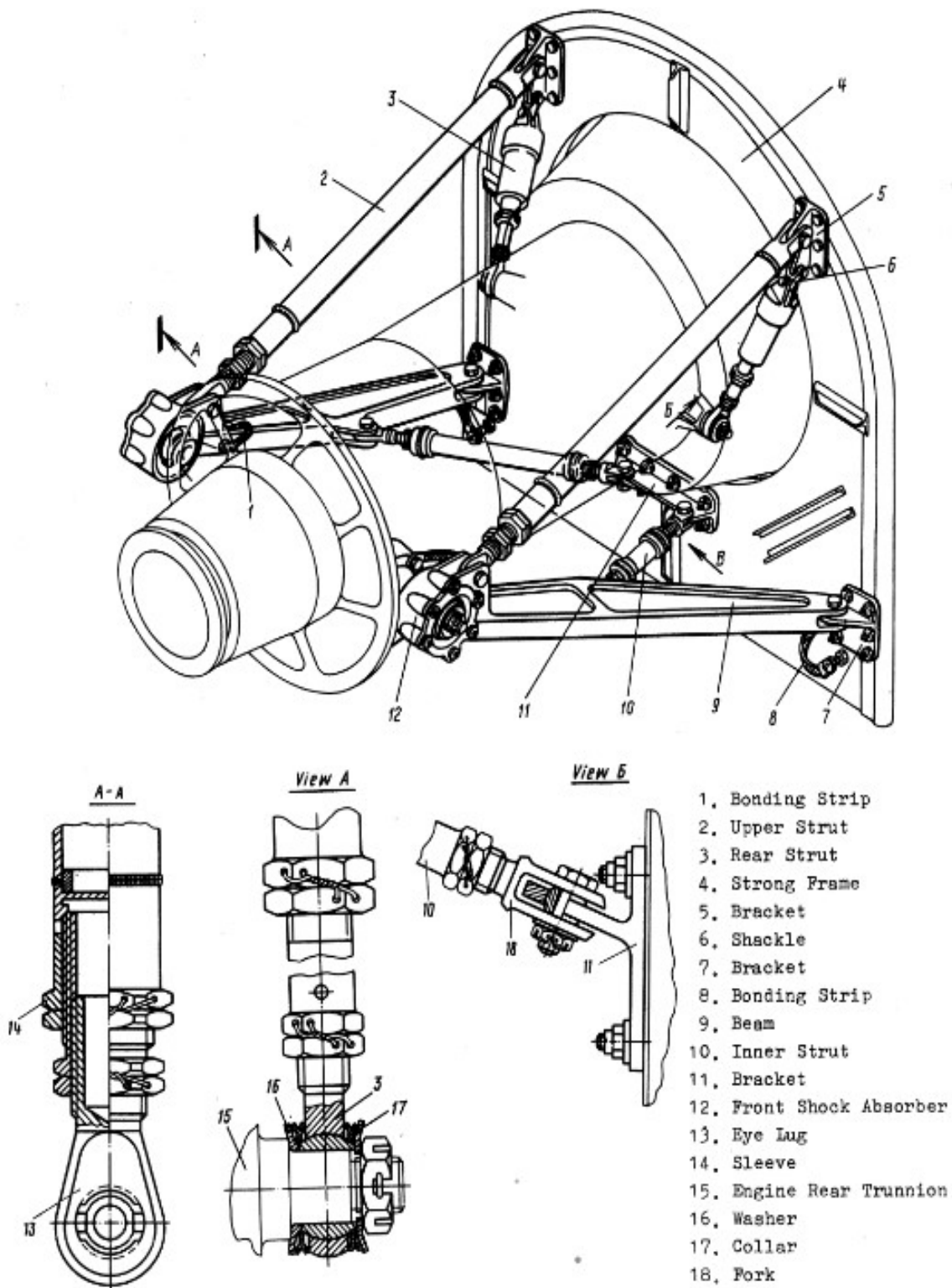


Fig. 1. ENGINE MOUNT

**071.20.00**

DESCRIPTION

Page 2

Jan 9/89