


1.	Nomenclature/Part No./GIG Number	Movable Track RH/ 26-0461-100-1/ 383018
2.	Year of Production/Source	1984//M/S ANTONOV COMPANY
3.	Fleet/Sub System/Wpn system	AN-32/CARGO HATCH
4.	Technical Applicability/Broad Purpose	CARGO HATCH
5.	Technical Specifications	N/A
6.	Publication Details (attach as separate sheets)	OHM 052.31.00 ITEM 21 FIG 102 PAGE 117 Annexure I
7.	Photograph of equipment	
8.	Brief Description	Component is installed on Ramp
9.	Classification of equipment- LRU/Testers/Ground equipment/Role equipment, Electrical, Electronics, Mechanical, Software based etc.)	Non Mand
10.	Previous Repair History	15-16/29ED/INRV/FQ401-RR/005786 Dated-07/03/2015
11.	Criticality (Priority I, II or III)	Priority II
12.	Requirement: Repair or Indigenization or both?	Indigenization
13.	Quantity Required (One time/Annual)	04 (ANNUALY)
14.	Sample Applicability	Sample available
15.	Scale/Deficiency	NIL
16.	If deficient- How deficiency is being plugged?	
17.	SPOC details item/fleet wise	SPE ISC, 1 BRD, AF
18.	Draft QTS with major testing requirement (If already designed)	(Tech Spec available)

19.

Any Other Relevant Information

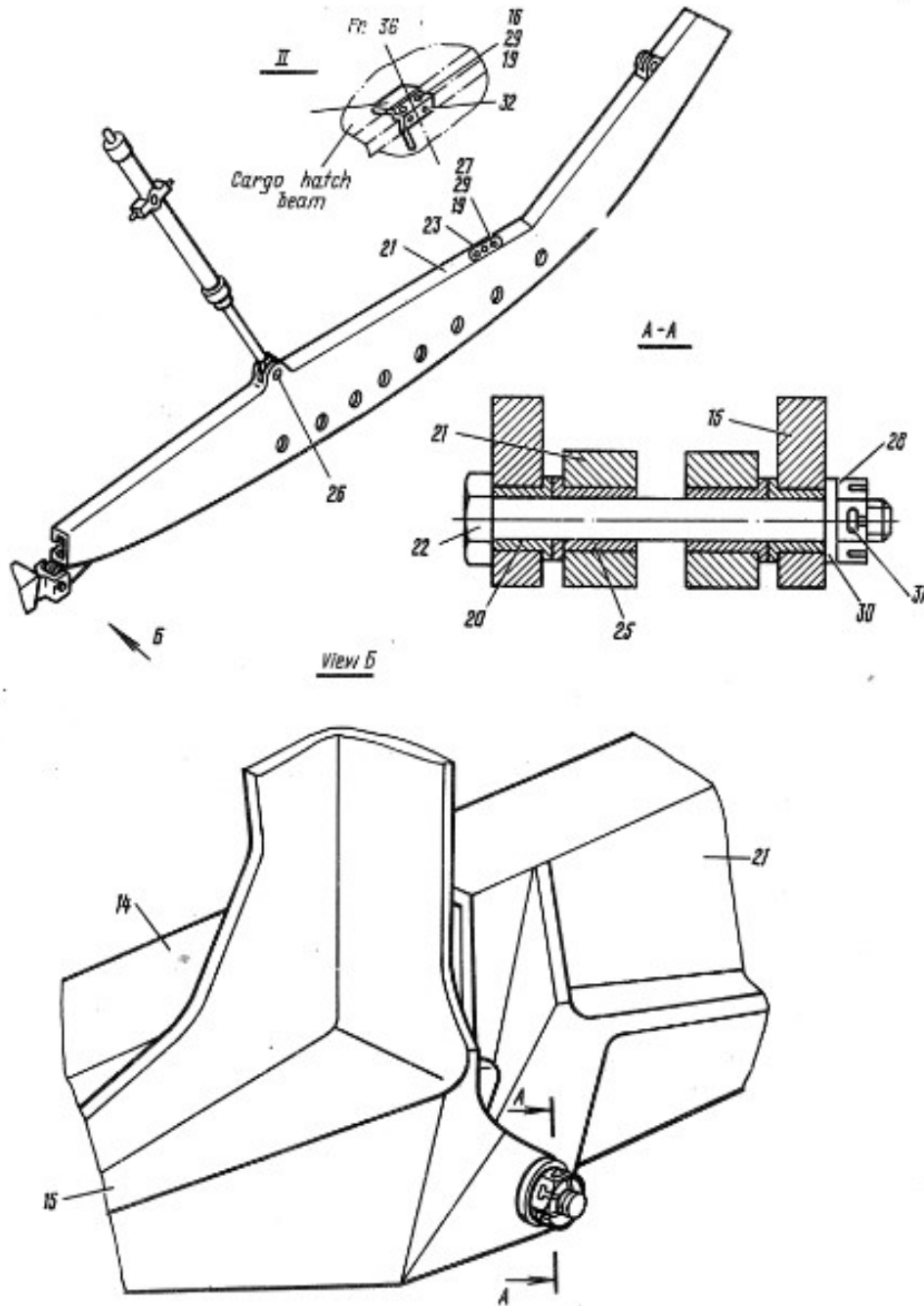


Fig. 102. FRONT RAIL INSTALLATION, REAR RAIL INSTALLATION
(Sheet 2 of 4)

052.31.00

Page 116

Jan 9/89

378