


1.	Nomenclature/Part No./GIG Number	Movable Track LH/ 26-0461-100-2 / 437103
2.	Year of Production/Source	1984//M/S ANTONOV COMPANY
3.	Fleet/Sub System/Wpn system	AN-32/CARGO HATCH
4.	Technical Applicability/Broad Purpose	CARGO HATCH
5.	Technical Specifications	
6.	Publication Details (attach as separate sheets)	OHM 052.31.00 ITEM 21 FIG 102 PAGE 117
7.	Photograph of equipment	
8.	Brief Description	Component is installed on Ramp
9.	Classification of equipment- LRU/Testers/Ground equipment, Electrical, Electronics, Mechanical, Software based etc.)	Non Mand
10.	Previous Repair History	18-19/29ED/INRV/FQ401-RR/007216 Dated-01/03/2019
11.	Criticality (Priority I, II or III)	Priority II
12.	Requirement: Repair or Indigenization or both?	Indigenization
13.	Quantity Required (One time/Annual)	03 (ANNUALY)
14.	Sample Applicability	Sample available
15.	Scale/Deficiency	NIL
16.	If deficient- How deficiency is being plugged?	
17.	SPOC details item/fleet wise	<b>SPE ISC, 1 BRD, AF</b>
18.	Draft QTS with major testing requirement ( If already designed)	<b>(Tech Spec available)</b>

19.

Any Other Relevant Information

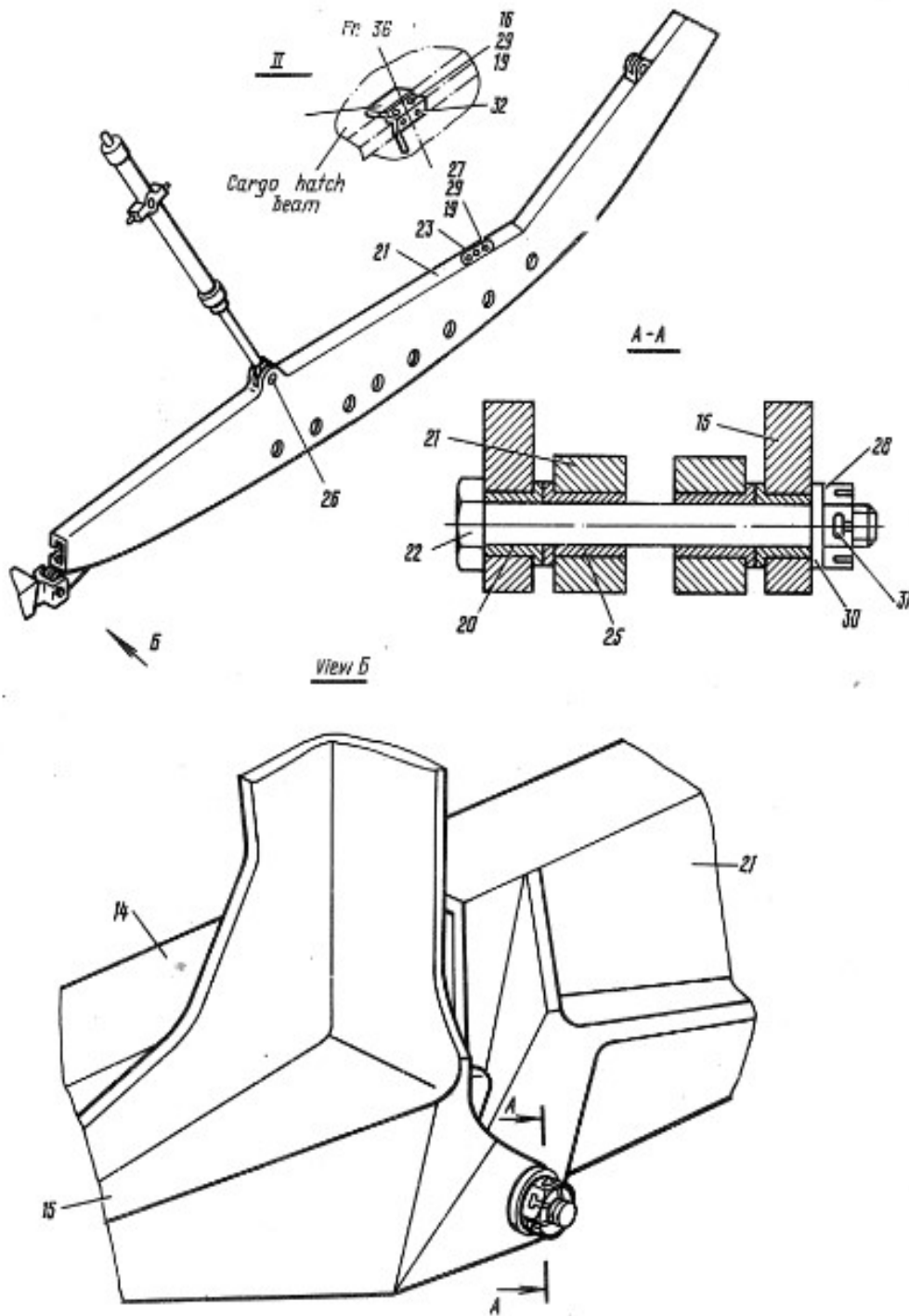


Fig. 102. FRONT RAIL INSTALLATION, REAR RAIL INSTALLATION  
(Sheet 2 of 4)

**052.31.00**