

CYLINDER ASSY, HYDRAULIC

SL No.	PARTICULARS	DETAILS
1	Nomenclature / Part No. / GIG No.	Cylinder Assy, Hydraulic / 52 B 10143-1 / 1513083
2	Year of Procurement / Source	2017 / (8BRD/564) Sathyam Hydraulic and Hardware
3	Fleet / Sub System/ Wpn System	Arrester Barrier / Hydraulic Assembly, Portarrest® Trailer / BAK 12
4	Technical Applicability/ Broad Purpose	The hydraulic cylinders are fitted in front and rear to raise and lower the Arrester Barrier trailer. Total weight of PIV 8,913Kg.
5	Technical Specification (attach as separate sheets)	Attached as Annexure I
6	Publication Details (attach as separate sheets)	Attached as Annexure II
7	Photograph of Equipment	Attached as Annexure III
8	Brief Description	The trailer raise/ lower system is used to configure the trailer for either transport or aircraft arrestment. When configured for transport, the trailer is resting upon the four wheels. When configured for aircraft arrestment, the wheels are raised, and the trailer frame rests on the ground. The transition from one configuration to the other is performed using the raise/lower system The raise/lower system is consists of a front hydraulic cylinder, a rear hydraulic cylinder, and two manual four-way valves.
9	Classification of Equipment-LRU/Testers/ Ground Equipment/ Role Equipment held details base wise)	Ground Equipment
10	Previous Repair History	Nil
11	Criticality (Priority I, II or III)	Non-Critical
12	Requirement: Repair or Indigenisation or both?	Both
13	Quantity Required (One time/ Annual)	Annual (as per condition)
14	Sample Availability	Yes
15	Scale/ Deficiency	N/A
16	If deficient- How deficiency is being plugged?	N/A
17	SPOC details item/ fleet wise	SPE ISC, 8BRD, AF
18	Draft QTS with major testing requirement (if already designed)	
19	Any Other Relevant Information	--

TECHNICAL SPECIFICATION

PART No: 52 B 10143-1

DESCRIPTION: Cylinder Assy, Hydraulic

GIG No: 1513083

INDIVIDUAL ITEM OR ASSEMBLY: Individual Item

ITEM INDIGENSIATIOIN SAMPLE TYPE:

ANY INSCRIPTION ETC DETAILS ON THE ITEM IF ANY: NO INSCRIPTION

PURPOSE OF THE ITEM IN BROAD SENSE: The hydraulic cylinders are fitted in front and rear to raise and lower the Arrester Barrier trailer. Total weight of P-IV BAK 12 is 8, 913Kg.

DIMENSIONS:

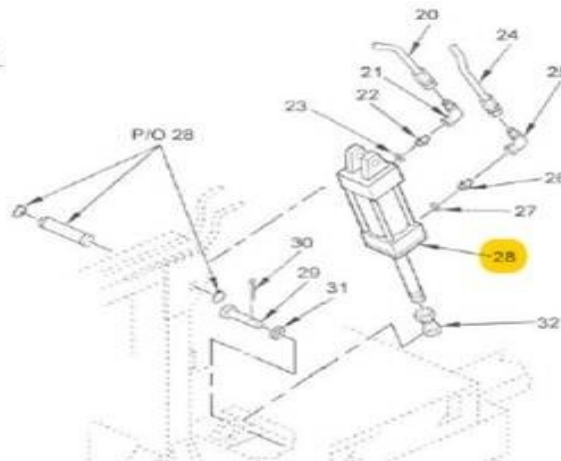
SL No.	ATTRIBUTES	VALUES (Appx.)
1.	Length	21.5 Inch
2.	Full Extension of Piston	1.2 Inch
3.	System Pressure	2200 to 2500 PSI

TESTING UNIT/SECTION/BAY: 08 BRD/ABOD

IN HOUSE AVIALABILILTY TESTING: YES

SOM-130
Illustrated Parts Breakdown
P-IV/BAK-12/Net/Stanchion
India

DETAIL C



SOM-130
Illustrated Parts Breakdown
P-IV/BAK-12/Net/Stanchion
India

Fig & Index No.	Part Number	Description	Usable on Code					
			1	2	3	4	5	6
5-12	52D7781-113	Hydraulic Assembly, Portarrest® Trailer REF (see Figure 1-2-9 for NHA)						
-1	9D01196-102	• Hydraulic breaker tool assembly 1						
-2	52C8620-1	• • Hose assembly 2						
-3	52C8621-1	• • Hose assembly 2						
-4	90001-433	• • Breaker tool, hydraulic, low vibration 1 (refer to the Manufacturer's Manual for detailed information)						
-5	52C8180-4	• Clamp, coupling LH 1						
-6	52C8180-5	• Clamp, coupling RH 1						
-7	16282-111	• Screw, cap, soc hd (#10-24 UNC x 1.875 lg) (AP) 2						
-8	16282-255	• Screw, cap, soc hd (0.25-20 UNC x 1.25 lg) (AP) 4						
-9	14218-006	• Washer, lock (0.25) (AP) 4						
-10	29725-014	• Nut, hex, self locking (0.25-20 UNC) (AP) 4						
-11	70001-011	• Cover, dust 1						
-12	70001-010	• Coupling-half, female, quick-disconnect (0.375 x 18) 1						
-13	03776-010	• Connector, male 1						
-14	70001-011	• Cover, dust 1						
-15	70001-009	• Coupling-half, male, quick disconnect (0.375 x 18) 1						
-16	03776-010	• Connector, male 1						
-17	9C01417-1	• Hydraulic power unit (HPU) assy 2 (see Figure 5-17 for detailed breakdown)						
-18	52D7771-47	• Shelf assembly, HPU storage 2 (see Figure 5-13 for detailed breakdown)						
-19	52C8622-3	• Hose assembly, hydraulic (50 ft) 4						
-20	52B10176-8	• Hose assembly (42 in) 1						
-21	03771-006	• Elbow, 90° swivel nut 1						
-22	08506-010	• Reducer, external thread 1						
-23	MS28778-12	• Packing, preformed 1						
-24	52B10176-9	• Hose assembly (55 in) 1						
-25	03771-006	• Elbow, 90° swivel nut 1						
-26	08506-010	• Reducer 1						
-27	MS28778-12	• Packing, preformed 1						
-28	52B10143-1	• Cylinder assy, hydraulic 1						
-29	MS20392-12C105	• Pin, straight, headed (1.0 dia) (AP) 1						
-30	MS24665-444	• Pin, cotter, split 1						

CYLINDER ASSY, HYDRAULIC

